

AD2HA Technical Specification

Update Number

(THIS DATA IS JUST A REFERENCE. IT IS NOT A GUARANTEED DATA.)

160419-03

Item		Specification				Remark		
1	Communication Interface	PWM				Signal Voltage:V	HIGH : min. 2.0V max. Vcc	
						Frame Rate:T	3.0~30ms (Default 14.25ms)	
					Left/Center/Right:Td	2120/1520/920μs (Resolution recommends less than 1μs.)		
		S.BUS				Futaba Serial Protocol (Please ask us for more information.)		
2	Rated Voltage	6.0~7.4V DC				-		
3	Operating Voltage	4.0~8.4V DC				-		
4	Standby Current	≤ 45mA				at 6.0~7.4V		
5	Consumption Current*	LL	Me	UL	unit	at 7.4V , No-Load		
		40	90	140	mA	LL : Low Limit Me : Medium Value UL : Upper Limit		
6	Max. Torque*	LL	Me	UL	unit	at 7.4V		
		1.5	3.0	4.5	kgf-cm			
		0.15	0.29	0.44	N-m			
		20.8	41.7	62.5	ozf-in			
7	Rated Torque*	LL	Me	UL	unit	at 7.4V 20% of Max. Torque		
		0.3	0.6	0.9	kgf-cm			
		0.03	0.06	0.09	N-m			
		4.2	8.3	12.5	ozf-in			
8	No Load Speed*	LL	Me	UL	unit	at 7.4V		
		0.08	0.11	0.14	sec/60°			
		428.6	545.5	750.0	°/sec			
		71.4	90.9	125.0	rpm			
9	Default Travel Angle	CW 60° (920us) CCW 60° (2120us)				-		
10	Max Travel Angle	CW 90° (920us) CCW 90° (2120us)				Programming tool (CIU-2,S-Link) required.		
11	BackLash*	≤ 0.5°				-		
12	Operating Temperature Range	-10~+45°C (14~113°F)				-		
13	Storage Temperature Range	-20~+60°C (-4~140°F)				-		
14	Outer Dimension	0.91 x 0.46 x 1.13 inch (23.0 x 11.8 x 28.8mm)				-		
15	Weight	0.57oz (16.2g)				-		
16	Case Material	Upper : Resin / Middle : AL / Bottom : Resin				-		
17	Gear Set Material	1st : Resin / 2nd,3rd,4th,5th(Final) : Metal				-		
18	Cable	Non-Shielded Cable				Cable Length : 11.81 inch (300mm)		
19	Connector	Manufacture	J.A.M Co., LTD.					
		Type	FC25-03HG					
		Mating	FC25-03M etc.					
		Pin Assignment	1	White	S.BUS / PWM			
		2	Red	Vcc				
		3	Black	GND				
20	MTT(B)F*	90h (Calculated by Weibull analysis)				Test Condition at 7.4V / Load : 20% of Max. Torque / 0.5Hz sweep (±60°)		
21	Vibration Resistance *	Operating time ≥ 20h (at 6.0V)				Test Condition		
						Frequency range	80 to 400Hz	
						Acceleration	10G (98m/s ²)	
						Sweep rate	1.2min	
						Vibration axis	X, Y, Z	

* Initial Performance Data at 23±5°C

All Specifications are subject to change without prior notice.

Caution

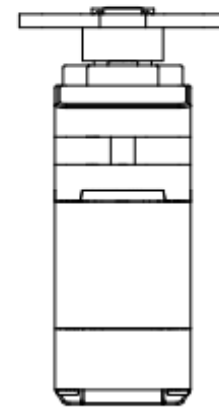
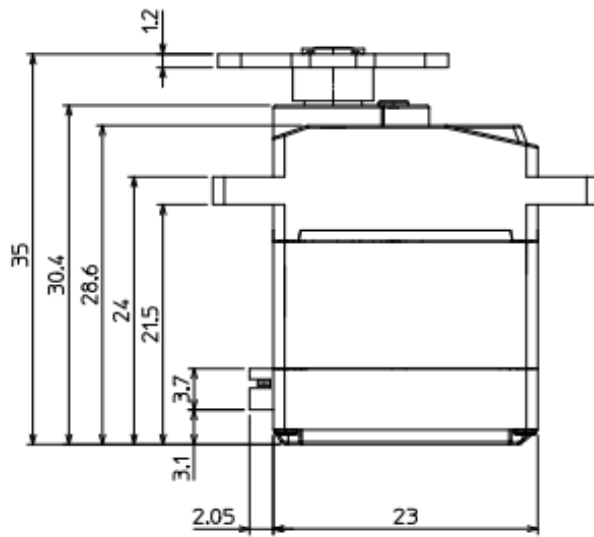
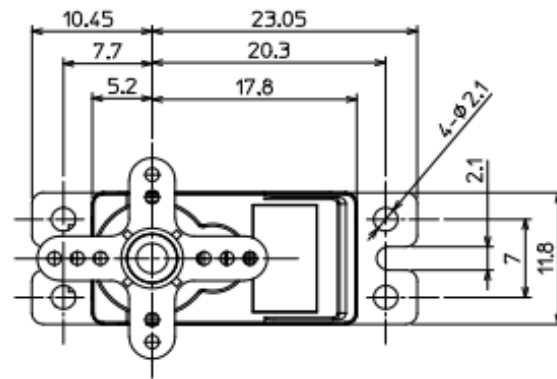
This product SHOULD NOT be used for the devices that is directly related to human life and/or harmful devices for human body such as below applications.

(1)Medical Devices

(2)Aerospace/Aviation Related Devices

(3)Nuclear Related Devices e.t.c.

Outer Dimension



(Unit mm)